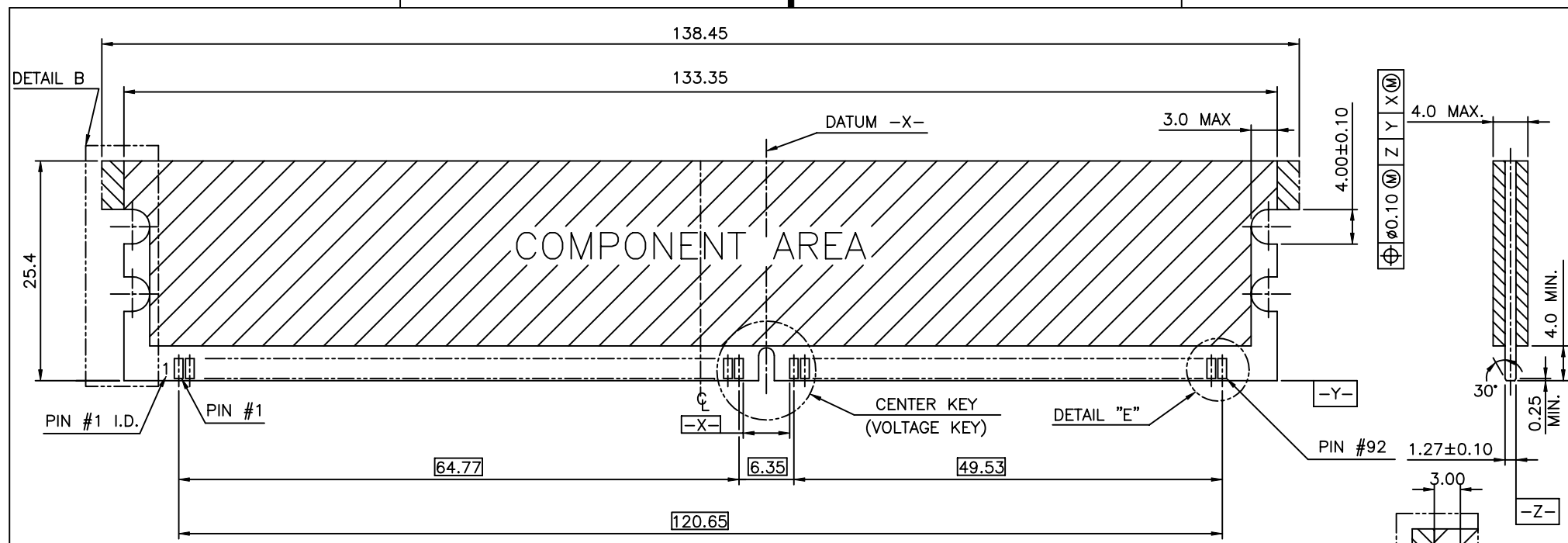


- NOTES:**
- MATERIAL:**
 HOUSING: HIGH PERFORMANCE RESINS, GLASS FILLED UL94V-0 RATED, COLOR BLACK.
 EJECTOR: HIGH PERFORMANCE RESINS, GLASS FILLED UL94V-0 RATED, COLOR NATURAL.
 TAIL GUIDE: HIGH PERFORMANCE RESINS, GLASS FILLED UL94V-0 RATED, COLOR BLACK.
 TERMINAL: PHOSPHOR BRONZE.
 METAL CLIP: PHOSPHOR BRONZE.
 - FCI LOGO TO BE APPROXIMATELY LOCATED AS SHOWN ON PRINT.
 - PERFORMANCE TO BE TESTED PER GS-12-066.
 - PACKAGING PER GS-14-376.
 - HAIR CRACK IS ACCEPTED, BUT NG FOR THAT WITH APPARENT GAP.
 - THE TERMINAL ROW 4 TAIL LENGTH (DIM."C") IS ALLOWED AT 3.15 ± 0.23 AT OUTSIDE POSITION.
 - THE DATE CODE IS SHOWN "MM-DD-YY".

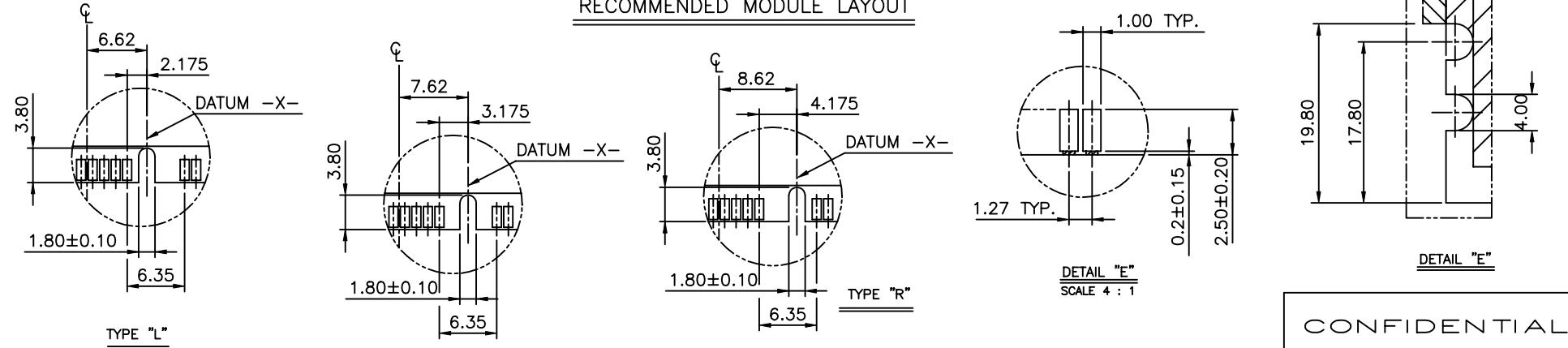
mat'l. code				tolerances unless otherwise specified		CUSTOMER COPY		FCI	
ltr	ecn no	dr	date	linear	.X ± 0.38	projection	title		
A	T03-0020	M W	01/17/03		.XX ± 0.25		DDR 184P		
B	T03-0194	M W	05/23/03		.XXX ± 0.13		R/A ASS'Y METAL CLIP		
C	T04-0145	M W	04/08/04	angles	0° ± 2°		product family		code
D	T05-0070	M W	04/01/05	dr	MAGGIE WU 01/16/02		DDR	TWN	
				enr	R Y LIU 01/16/02	scale 1:1	size dwg no		sheet
				chr	YUWEN CHU 01/16/02		A4	57997	
				appd	JENN TSAO 01/16/02				
sheet index	revision sheet	D	A	A	D				
		1	2	3	4				

Tous droits strictement reserves. Reproduction ou communication a des tiers interdite sous quelque forme que ce soit sans autorisation ecrite du proprietaire. Propriete de c FCI. Droits de reproduction FCI.

All rights strictly reserved. Reproduction or issue to third parties in any form whatever is not permitted without written authority from the proprietor. Property of FCI. Copyright FCI.



RECOMMENDED MODULE LAYOUT



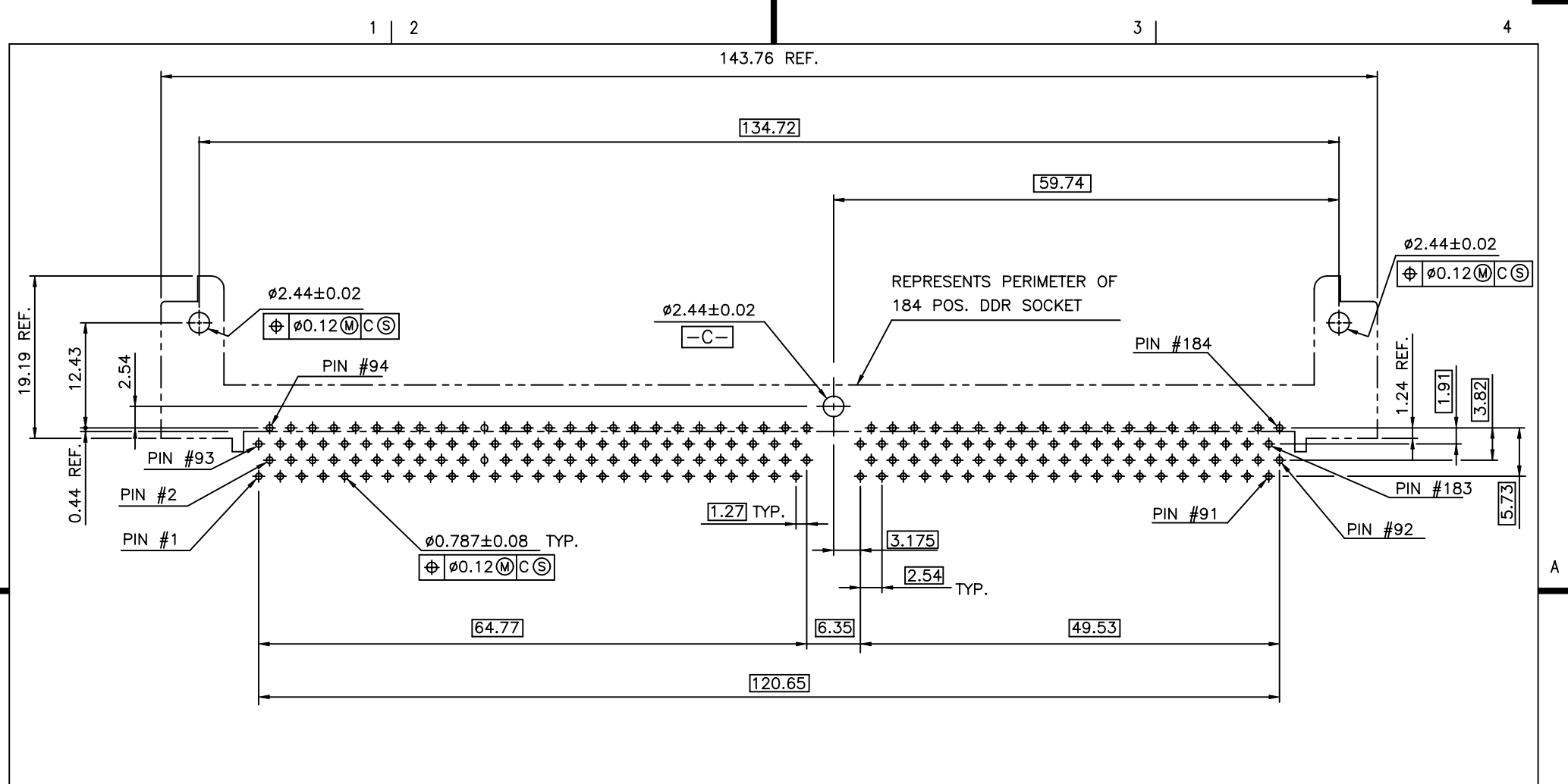
CONFIDENTIAL

TYPE "R"	3.3 VOLT.
TYPE "L"	2.5 VOLT.
TYPE "C"	1.8 VOLT.
CENTER KEY	DESCRIPTION

mat'l. code				tolerances unless otherwise specified			CUSTOMER COPY		 www.fciconnect.com	
ltr	ecn no	dr	date	linear	.X ± 0.38	projection	title			
A					.XX ± 0.25		DDR 184P		product family	code
				angles	.XXX ± 0.13	 MM	R/A ASS'Y METAL CLIP		DDR	TWN
				dr	0° ± 2°		scale	size		dwg no
				enr		1.5:1		57997		2 of
				chr						
				appd						
sheet index	revision sheet									

Tous droits strictement reserves. Reproduction ou communication a des tiers interdite sous quelque forme que ce soit sans autorisation ecrite du proprietaire. Propriete de c FCI. Droits de reproduction FCI.

All rights strictly reserved. Reproduction or issue to third parties in any form whatever is not permitted without written authority from the proprietor. Property of FCI. Copyright FCI.



RECOMMENDED CIRCUIT BOARD HOLE LAYOUT

CONFIDENTIAL

mat'l. code				tolerances unless otherwise specified			CUSTOMER COPY		 www.fciconnect.com	
ltr	ecn no	dr	date	linear	.X ± 0.38		projection	title		
A					angles	.XX ± 0.25		 DDR 184P R/A ASS'Y METAL CLIP		
				dr		.XXX ± 0.13				product family
					enr	0° ± 2°		DDR		
				chr	MAGGIE WU	01/16/02	size		code	
				appd	R Y LIU	01/16/02	dwg no		TWN	
					YUWEN CHU	01/16/02	A4		57997	
					JENN TSAO	01/16/02	scale		sheet	
							1.5:1		3 of	
sheet index	revision sheet									

Tous droits strictement reserves. Reproduction ou communication a des tiers interdite sous quelque forme que ce soit sans autorisation ecrite du proprietaire. Propriete de c FCI. Droits de reproduction FCI.

FCI

All rights strictly reserved. Reproduction or issue to third parties in any form whatever is not permitted without written authority from the proprietor. Property of FCI. Copyright FCI.

5 7 9 9 7 - □ □ □ □ □

STYLE

- 1 : FOR 3.3 VOLT.
- 2 : FOR 2.5 VOLT.
- 3 : FOR 1.8 VOLT.

PEG TYPE

- 0 : WITH METAL CLIP + DIM."D"=3.45.
- 1 : WITH METAL CLIP + DIM."D"=3.85.

TAIL LENGTH

CODE	DIM. "B"	DIM. "C"
0	2.54	2.39
1	3.30	3.15


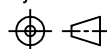

PLATING

CODE	CONTACT	SOLDERTAIL	UNDERPLATE
2	15μ"(0.38μm) MIN. GOLD	100μ"(2.54μm) MIN. TIN/LEAD	50μ" (1.27μm) MIN. NICKEL OVERALL
3	30μ"(0.76μm) MIN. GOLD		
4	3μ" (0.076μm) MIN. GOLD	100μ"(2.54μm) MIN. 100% TIN	
2LF	15μ"(0.38μm) MIN. GOLD		
3LF	30μ"(0.76μm) MIN. GOLD		
4LF	3μ" (0.076μm) MIN. GOLD		

COLOR OF HOUSING AND EJECTOR

0 : BLACK HOUSING + IVORY EJECTOR + BLACK TAIL GUIDE

CONFIDENTIAL

mat'l. code				tolerances unless otherwise specified			CUSTOMER COPY		 www.fciconnect.com	
ltr	ecn no	dr	date	linear	.X ± 0.38		projection	title		
D					.XX ± 0.25				DDR 184P	
				angles	.XXX ± 0.13		R/A ASS'Y METAL CLIP			
				dr	MAGGIE WU	01/16/02	 MM	product family		code
				enr	R Y LIU	01/16/02		DDR		TWN
				chr	YUWEN CHU	01/16/02		size	dwg no	sheet
				appd	JENN TSAO	01/16/02		A4		4 of
sheet index		revision sheet				scale		57997		
						1:1				